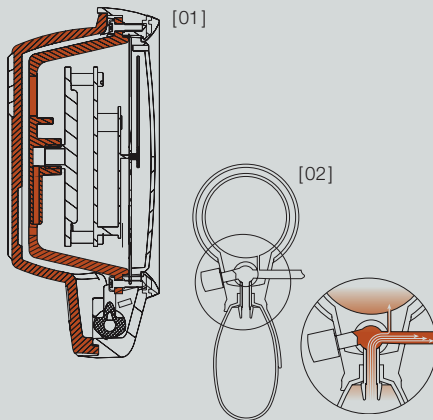




## SHOCKPROOF



## SHOCKPROOF

**[01] Shockproof double-walled construction with unique manometer protection.** The robust double-walled construction with a unique triple manometer mount gives ideal protection against shocks, comfortably exceeding both the European EN1060 and the American SP9 tests.

## AIR PRESSURE DISTRIBUTION SYSTEM

**[02] Single-tube construction with an innovative air pressure distribution system.** The valve construction provides ideal air pressure conditions to absorb pressure peaks in the air flow to the manometer during inflation. This advantage was only possible until now with twin-tube systems.



CLINICAL APPROVAL

## HEINE GAMMA® G7

The model with aluminium alloy construction and precision valve



∴ Shockproof

∴ Latex-free

∴ Aluminium upper housing

∴ 10 year warranty

- ∴ Shockproof.
- ∴ Latex-free.
- ∴ Exclusive pressure-distribution system.
- ∴ Pressure-proof manometer. Ensures durability and reliability.
- ∴ Micro filter. Protects valve and manometer.
- ∴ Large diameter scale. 56 mm diameter black-on-white scale is easy to read.
- ∴ High quality indicator. Precisely calibrated, durable and shock resistant.
- ∴ Large insufflation bulb. 50 % larger bulb volume for fast inflation of the cuff.
- ∴ Exclusive air-release valve. Provides fine and precise air release rate adjustment, quick deflation, and extreme durability. A rubber-stop prevents valve-lock.
- ∴ Upper housing made of aluminium alloy with a shock absorbing ring protecting indicator and glass.
- ∴ Lower housing is moulded of shockproof plastic with shock absorbing, anti-slip coating.
- ∴ Light alloy, adjustable spoon. For both right- or left-handed operation.
- ∴ High quality, single-tube cuff with velcro fastener. Washable.
- ∴ Ergonomic design: G7 is perfectly balanced for comfort and ease of use.
- ∴ 10 year warranty.\*

\*against defects in design, materials and workmanship for a period of 10 years from the date of purchase.

## GAMMA G7

|   |              |
|---|--------------|
| complete with adult cuff, in zipper pouch                           | M-000.09.232 |
| complete with child cuff, in zipper pouch                           | M-000.09.233 |
| Practice kit with child, adult and small adult cuff in zipper pouch | M-000.09.554 |
| complete with adult cuff without zipper pouch, box of 10            | M-000.09.560 |

HEINE GAMMA® G5

**The HEINE standard sphygmomanometer**



∴ Shockproof

∴ Latex-free

∴ Shock-absorbing housing

Combines all design and quality features of the GAMMA G7, except:

- ∴ **Housing is moulded of shockproof plastic** with shock absorbing, anti-slip coating.
- ∴ **Adjustable spoon (plastic).** For both right or left-handed operation.
- ∴ **5 year warranty.\***

\*against defects in design, materials and workmanship for a period of 5 years from the date of purchase.

| GAMMA G5  |                     |
|---|---------------------|
| complete with adult cuff, in zipper pouch                           | <b>M-000.09.230</b> |
| complete with child cuff, in zipper pouch                           | <b>M-000.09.231</b> |
| Practice kit with child, adult and small adult cuff in zipper pouch | <b>M-000.09.555</b> |
| complete with adult cuff without zipper pouch, box of 10            | <b>M-000.09.561</b> |

HEINE GAMMA® GP

**The HEINE standard sphygmomanometer with push-button valve**



∴ Shockproof

∴ Latex-free

∴ Shock-absorbing housing

Combines all design and quality features of the GAMMA G5, but with a push-button valve:

- ∴ **Innovative push-button valve.** Fine and precise air-release rate adjustment, ultra-fast air-release, practically wear-free. Easy to operate by both left and right-handed users.
- ∴ **5 year warranty.\***

\*against defects in design, materials and workmanship for a period of 5 years from the date of purchase.

| GAMMA GP  |                     |
|---|---------------------|
| complete with adult cuff, in zipper pouch                           | <b>M-000.09.242</b> |
| complete with child cuff, in zipper pouch                           | <b>M-000.09.243</b> |
| Practice kit with child, adult and small adult cuff in zipper pouch | <b>M-000.09.556</b> |
| complete with adult cuff without zipper pouch, box of 10            | <b>M-000.09.562</b> |

## HEINE GAMMA® XXL LF

## The top-quality professional model

Since the GAMMA XXL LF is non-mercurial, it is both safe and environmentally-friendly.



[01]

∴ Oversized scale

∴ Latex-free

∴ 10 year warranty

- ∴ **Latex-free.**
- ∴ **Durable polycarbonate construction.** Will hold up in the busiest hospital and practice environments.
- ∴ **Oversized 130 mm diameter scale.** Can be pivoted for clear, easy reading from any angle.
- ∴ **Long spiral inflation tube (3 m).** For increased working distance.
- ∴ **High quality indicator.** Precisely-calibrated and durable.
- ∴ **Precision air-release valve.** Fine and precise air release.
- ∴ **Maintenance-free,** precise and durable manometer.
- ∴ **Mercury-free.** Environmentally friendly.
- ∴ **Wall, desk, rail and wheeled stand.** Adjustable height.
- ∴ **10 year warranty.\***

\*against defects in design, materials and workmanship for a period of 10 years from the date of purchase.

| GAMMA XXL LF                                  |              |
|---|--------------|
| LF-W Wall [01]                                | M-000.09.323 |
| LF-S Wheeled stand [02]                       | M-000.09.326 |
| LF-R Rail [03]                                | M-000.09.325 |
| LF-T Desk (non-spiral insufflation tube) [04] | M-000.09.322 |

| Accessories   |              |
|---|--------------|
| Cuff-holder for GAMMA XXL LF-T                      | M-000.09.141 |
| Desk stand for GAMMA XXL LF-T                       | M-000.09.142 |
| Adjustable wheeled stand for GAMMA XXL LF-S         | M-000.09.145 |
| Universal mounting plate for GAMMA XXL LF-W, -S, -R | M-000.09.306 |
| Rail clamp for GAMMA XXL LF-R                       | M-000.09.307 |



[03]



[04]



[02]

## Blood-pressure cuffs and accessories

### Latex-free blood-pressure cuffs

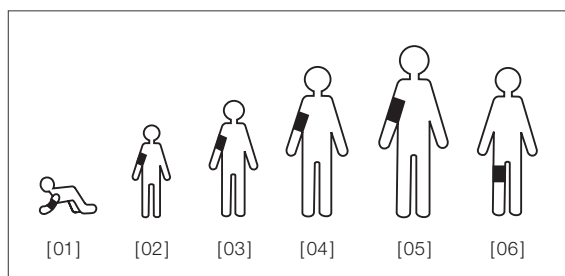
Cuffs for GAMMA G7/G5/GP/XXL LF sphygmomanometers.



- ✦ Latex-free.
- ✦ Fit the most widely used sphygmomanometers.
- ✦ High-quality velcro cuffs made of wear-resistant material. Physiologically tested.
- ✦ Double-sewn.
- ✦ Washable.
- ✦ Index mark for exact positioning.
- ✦ Clear indication of size and control mark for arm circumference.
- ✦ Extra thick, highly flexible tube. For a long life.
- ✦ Proven reliability. Absolutely airtight system.

|  | GAMMA<br>G7/G5/GP | Single-tube cuffs (cpl.) |                  |              | Single-tube bladders |              | Outer cuffs |              |
|--|-------------------|--------------------------|------------------|--------------|----------------------|--------------|-------------|--------------|
|  |                   | Size                     | Circumference/cm |              | Size                 |              | Size        |              |
|  | Infant [01]       | 6x28                     | 8–13             | M-000.09.700 | 5x15                 | M-000.09.661 | 6x28        | M-000.09.059 |
|  | Child [02]        | 10x34                    | 13–20            | M-000.09.702 | 8x20                 | M-000.09.663 | 10x34       | M-000.09.060 |
|  | Adult small [03]  | 14x53                    | 20–29            | M-000.09.704 | 11x23                | M-000.09.664 | 14x53       | M-000.09.061 |
|  | Adult [04]        | 14x58                    | 29–41            | M-000.09.619 | 12x28                | M-000.09.665 | 14x58       | M-000.09.055 |
|  | Adult large [05]  | 17x70                    | 35–47            | M-000.09.706 | 13x34                | M-000.09.668 | 17x70       | M-000.09.058 |
|  | Thigh [06]        | 20x86                    | >41              | M-000.09.615 | 18x52                | M-000.09.667 | 20x86       | M-000.09.057 |

|  | GAMMA<br>XXL LF  | Twin-tube cuffs (cpl.) |                  |              | Twin-tube bladders |              | Outer cuffs |              |
|--|------------------|------------------------|------------------|--------------|--------------------|--------------|-------------|--------------|
|  |                  | Size                   | Circumference/cm |              | Size               |              | Size        |              |
|  | Infant [01]      | 6x28                   | 8–13             | M-000.09.701 | 5x15               | M-000.09.671 | 6x28        | M-000.09.059 |
|  | Child [02]       | 10x34                  | 13–20            | M-000.09.703 | 8x20               | M-000.09.673 | 10x34       | M-000.09.060 |
|  | Adult small [03] | 14x53                  | 20–29            | M-000.09.705 | 11x23              | M-000.09.674 | 14x53       | M-000.09.061 |
|  | Adult [04]       | 14x58                  | 29–41            | M-000.09.629 | 12x28              | M-000.09.675 | 14x58       | M-000.09.055 |
|  | Adult large [05] | 17x70                  | 35–47            | M-000.09.631 | 15x34              | M-000.09.678 | 17x70       | M-000.09.058 |
|  | Thigh [06]       | 20x86                  | >41              | M-000.09.625 | 18x52              | M-000.09.677 | 20x86       | M-000.09.057 |





## HEINE GAMMA® STETHOSCOPIES

- ∴ **Solid chest piece** and ideal weight avoid stray noise from manipulation and ensure excellent resonance. Hygienic matt chrome finish.
- ∴ **Chest piece with non-chill rims** for the comfort of the patients.
- ∴ Ergonomic, chrome-plated binaurals. Individually adjustable.
- ∴ **High-quality Y-piece tubing** for perfect acoustics and sound reproduction. Length 56 cm.
- ∴ **Latex-free** materials.

### HEINE GAMMA® 3.1 Pulse Stethoscope

**For fine acoustic performance.**



- ∴ **Stethoscope with solid flat chest piece.** The chest piece can be easily inserted under the sphygmomanometer cuff.
- ∴ **High-quality membrane**, 44 mm dia.
- ∴ **Single-tube construction** with excellent sound transmission.
- ∴ **Includes ear olives** (large/soft) for sound insulation.
- ∴ **Optional available:** Ear olives, (small/hard) (M-000.09.946).

GAMMA 3.1

M-000.09.941

### HEINE GAMMA® 3.2 Acoustic Stethoscope

**For excellent acoustic performance.**



Technical data as GAMMA 3.1, but with a double chest piece.

- ∴ **Combined double chest piece** with two different frequency ranges to choose from: A high-quality membrane on one side and a conical acoustic head on the other side.
- ∴ **High-quality membrane**, 44 mm diameter for excellent acoustic performance and sound transmission.
- ∴ **Cone diameter 30mm.**

GAMMA 3.2

M-000.09.942

### HEINE GAMMA® 3.3 Acoustic Stethoscope

**For the examination of children.**



Technical data as GAMMA 3.2.

- ∴ **Reduced contact area** of 31 mm makes GAMMA 3.3 ideal for examining children.

GAMMA 3.3

M-000.09.943

### HEINE GAMMA® C3 Cardio Stethoscope

**Specially developed for cardiology.**



- ∴ **Exceptional acoustic performance**, particularly in the cardiac frequency range.
- ∴ **Combined double chest piece** with two different frequency ranges. Instant selection of a double membrane on one side or a conical acoustic head on the other.
- ∴ **High-performance double membrane**, 45 mm diameter gives ideal sound transmission and perfect skin contact for exceptional sound reproduction.
- ∴ **Two-in-one tube system** for enhanced performance. Very supple, yet kink-resistant with exceptional acoustic reproduction.
- ∴ **Includes ear olives** (large/soft) and one pair of replacements (small/hard) for sound insulation.

GAMMA C3

M-000.09.944

Имя HEINE характеризует продукцию высочайшего качества!

**HEINE** QUALITY  
MADE IN GERMANY

"

-

"

<http://heine-med.ru/>  
[info@heine-med.ru](mailto:info@heine-med.ru)

: (495) 902-59-26 .. , (495) 518-55-99

HEINE,

HEINE ( ) -

!

